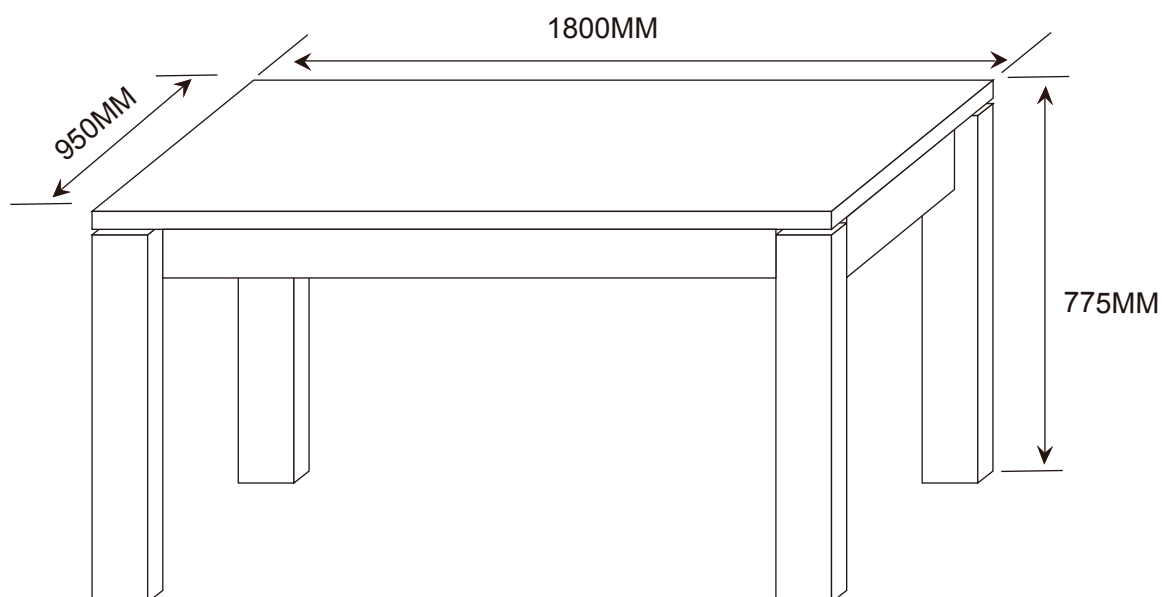


## Assembly Instruction

# Amart Furniture

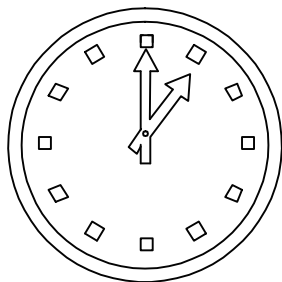
Item Code : 49839

MAJESTY 1800 DINING TABLE

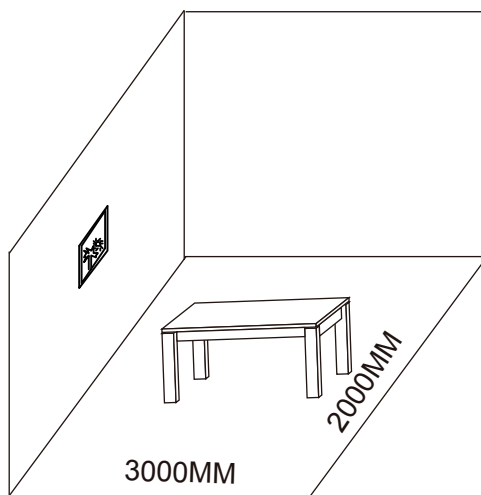


**Please read the assembly instruction carefully before assembling.**

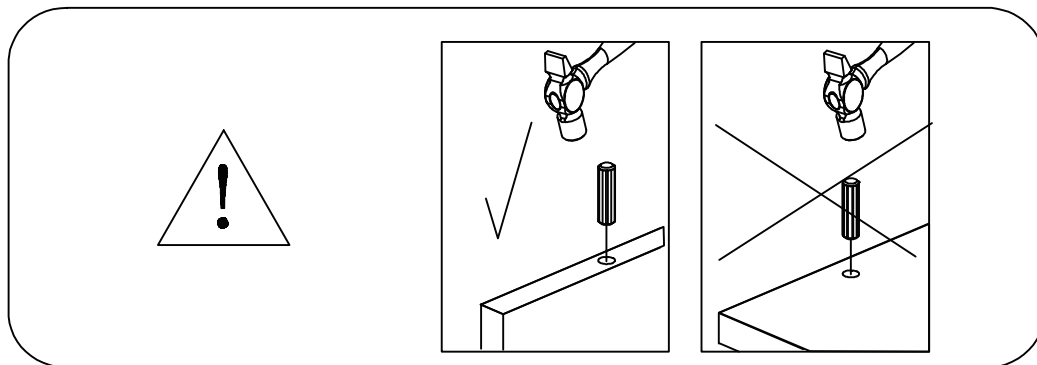
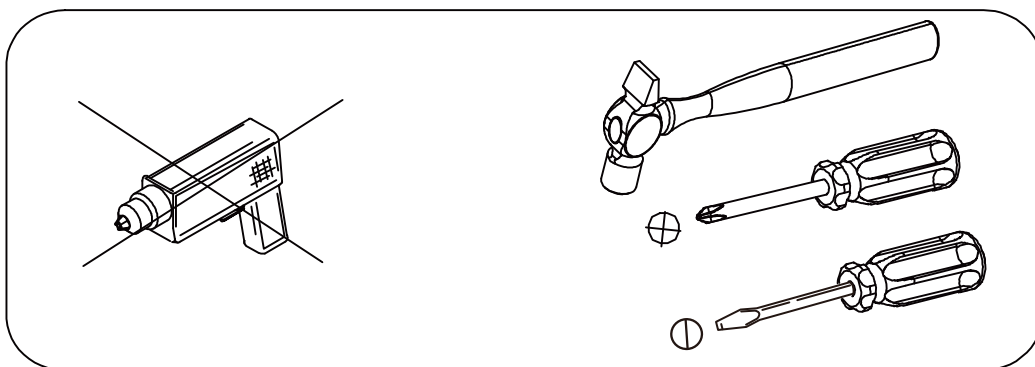
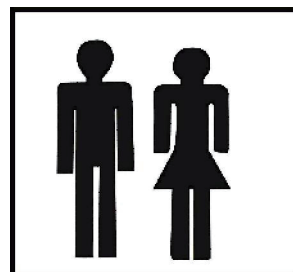
**IMPORTED BY SUPER AMART PTY LTD, BRISBANE,  
QLD, AUSTRALIA  
CUSTOMER SERVICE FREECALL 1800 351 084**



Allow 60 min

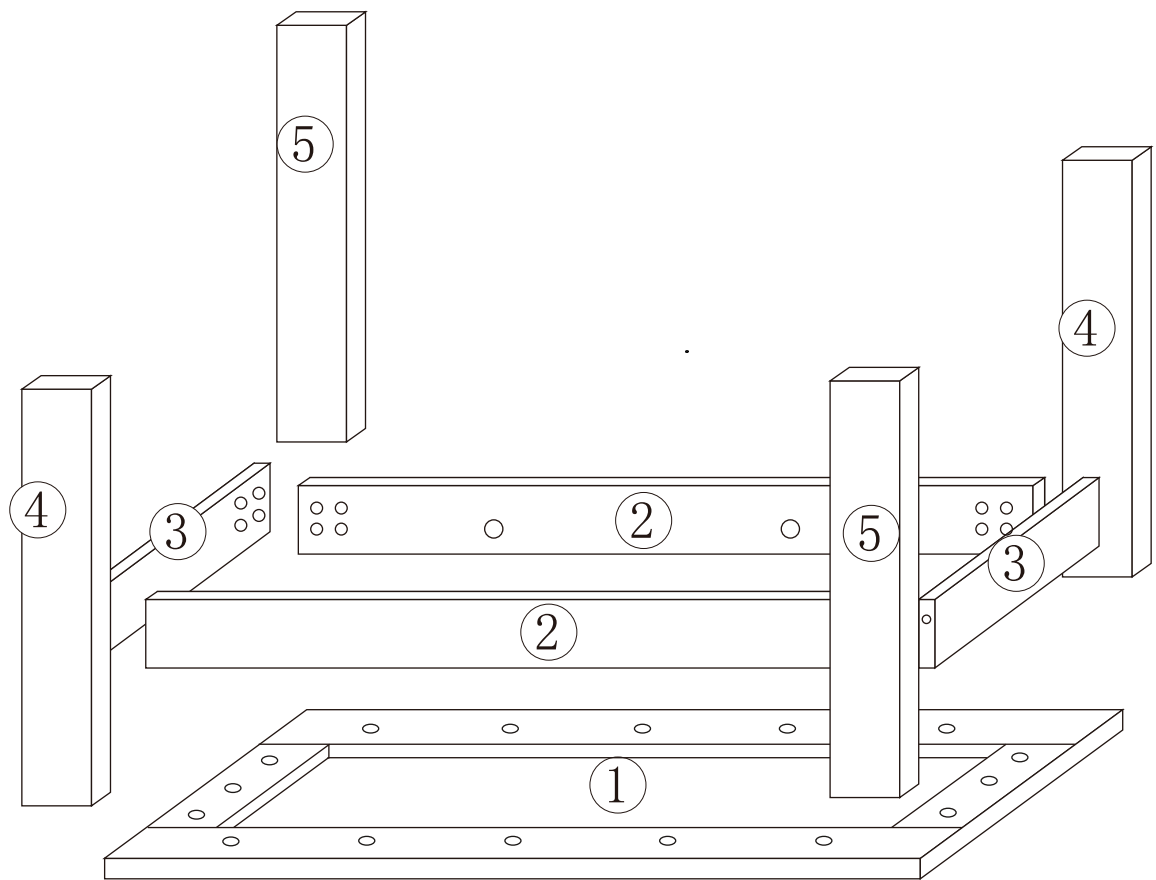


2 PEOPLE REQUIRED



**Assembly is to be carried out by a competent adult only.**  
**During assembly children should be kept away from the product due to possible risk of injury.**  
**Do not use this item if any components are missing or damaged.**  
**Please keep these instructions for future reference.**

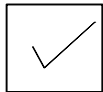
# EXPLODED EXAMPLE

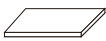

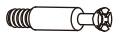







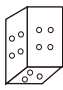


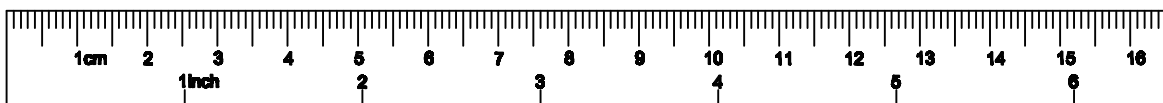
# CHECKLIST

Before you start.....

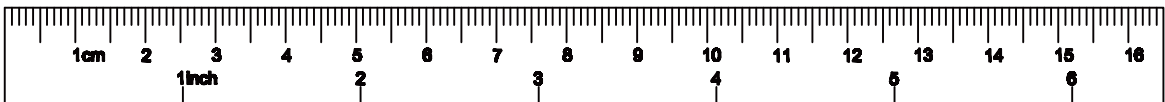
1. Choose a clean, level, spacious assembly area. Avoid hard surfaces that may damage the product.
2. Check and ensure that you have all required contents for complete assembly.
3. Always read the assembly instructions carefully before beginning assembly.
4. The packaging and contents can be a choking hazard, therefore keep out of reach of small children at all times.
5. Do not over tighten the bolts as this may damage the thread.



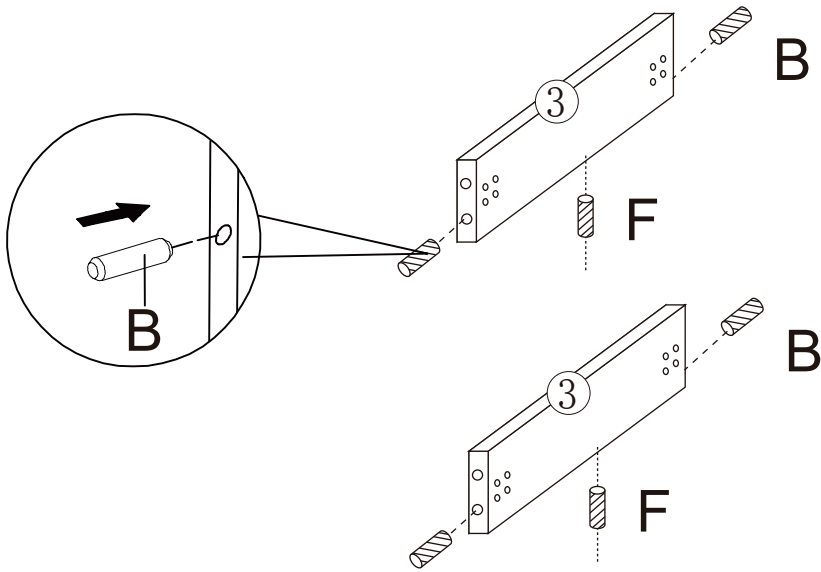
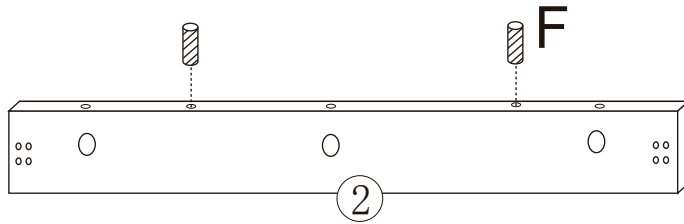
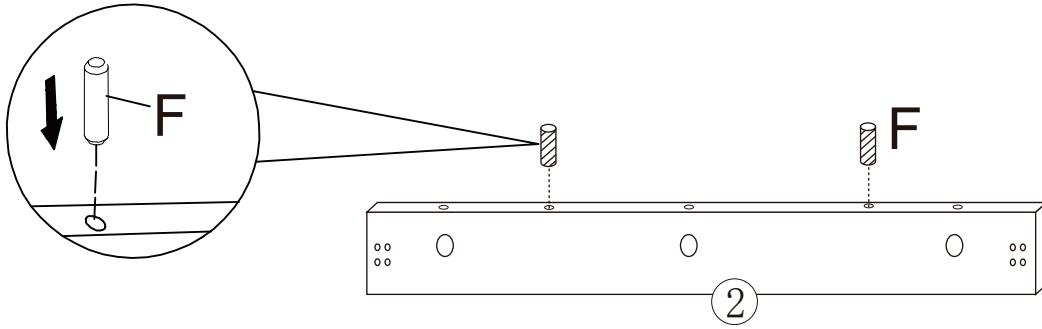
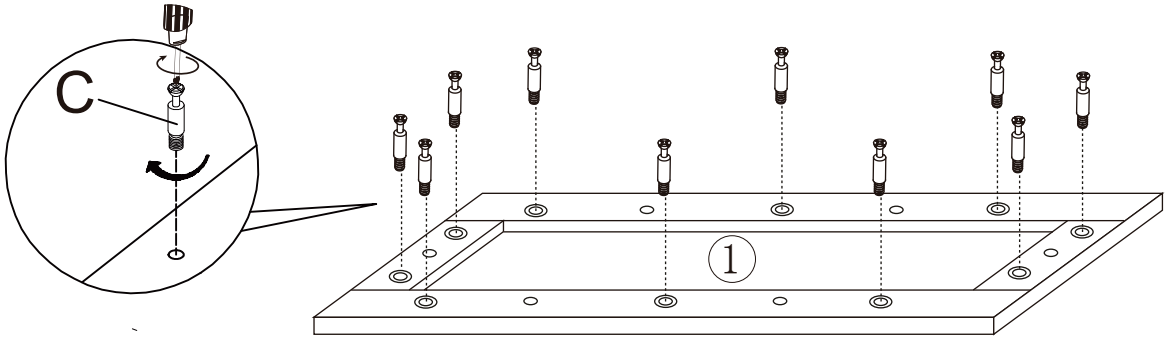
<p><b>A</b> <input type="checkbox"/></p> <p>non-slip sticker</p>  <p>4xA</p>	<p><b>B</b> <input type="checkbox"/></p> <p>dowel</p>  <p>M10x50mm 4xB</p>	<p><b>C</b> <input type="checkbox"/></p> <p>cam pin</p>  <p>10xC</p>
<p><b>D</b> <input type="checkbox"/></p> <p>cam lock</p>  <p>10xD</p>	<p><b>E</b> <input type="checkbox"/></p> <p>hexagon socket screw</p>  <p>M8x50mm 16xE</p>	<p><b>F</b> <input type="checkbox"/></p> <p>dowel</p>  <p>M8x50mm 6xF</p>
<p><b>G</b> <input type="checkbox"/></p> <p>hexagon socket screw</p>  <p>M8x20mm 28xG</p>	<p><b>H</b> <input type="checkbox"/></p> <p>socket wrenches</p>  <p>1xH</p>	<p><b>I</b> <input type="checkbox"/></p> <p>8 mm round washers</p>  <p>44xI</p>
<p><b>J</b> <input type="checkbox"/></p> <p>spring washer</p>  <p>44xJ</p>	<p><b>K</b> <input type="checkbox"/></p> <p>angle iron</p>  <p>4xK</p>	



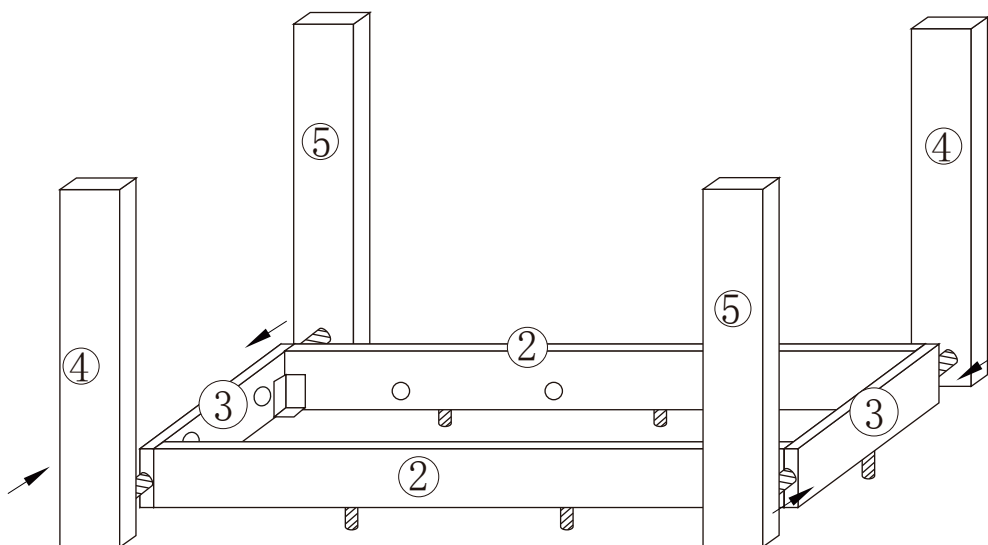
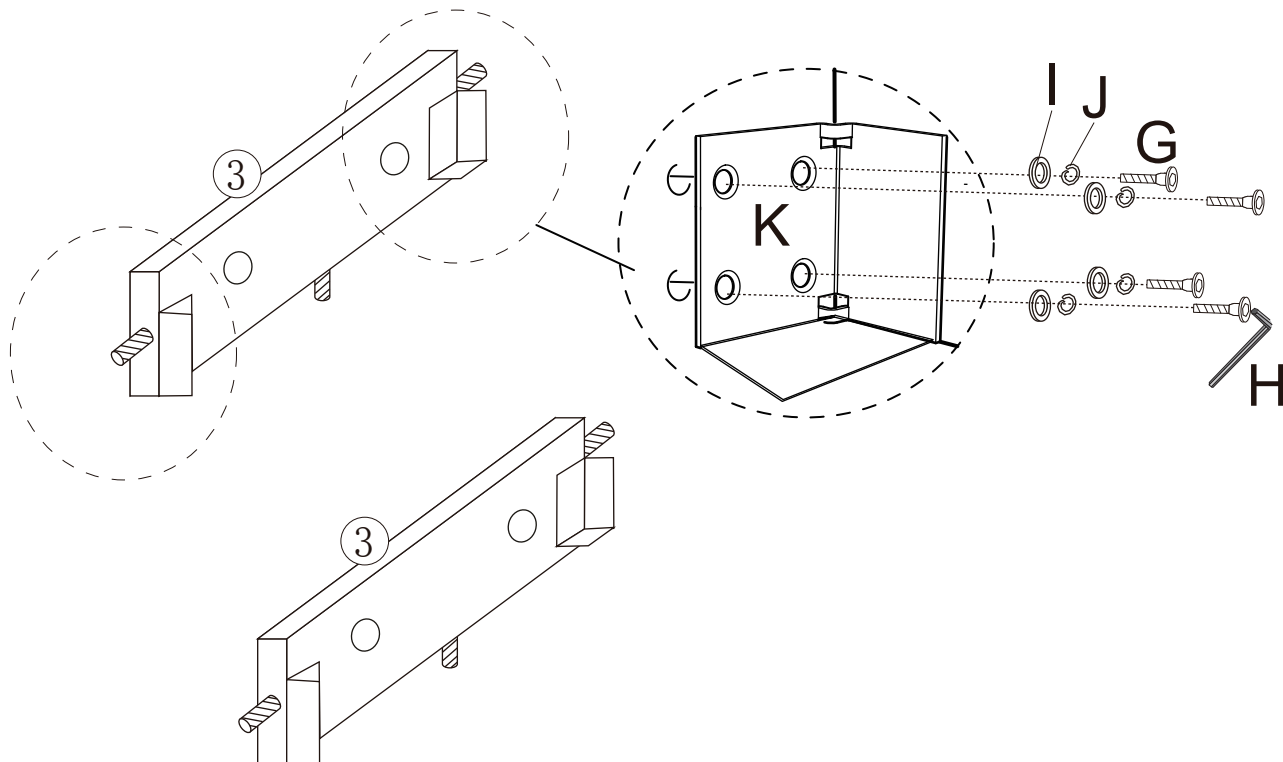
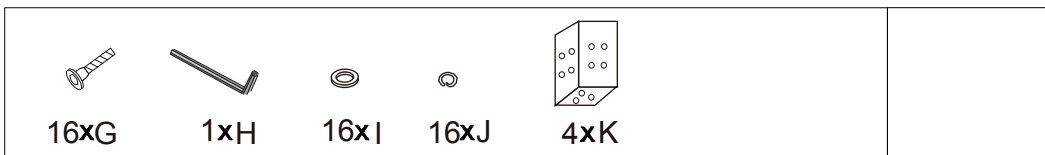
PART NUMBER	QTY	DIMENSIONS (MM)
1	1	950x1800x40
2	2	120x1648x25
3	2	120x848x25
4	2	150x720x50
5	2	150x720x50



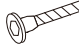
# 1

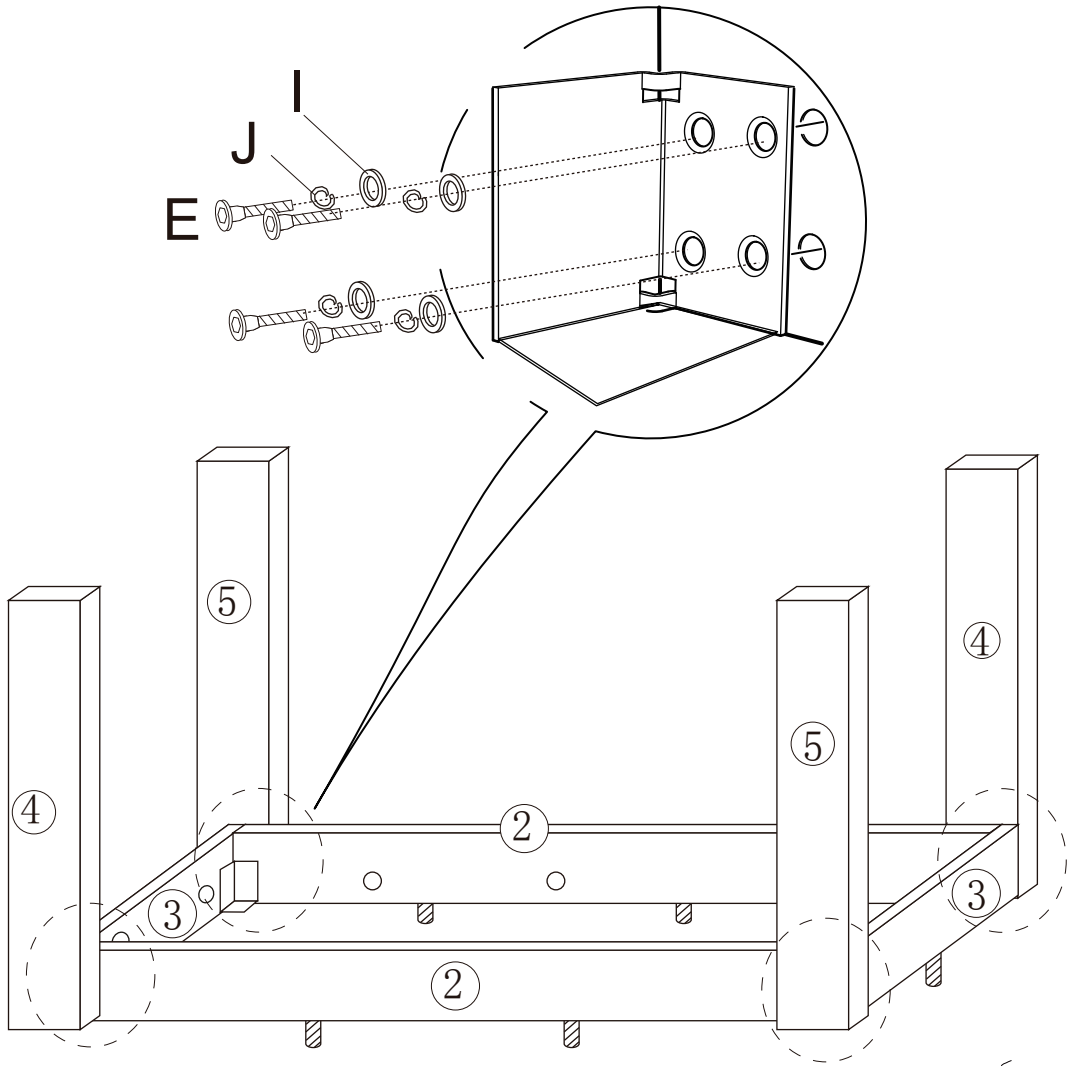


# 2



# 3

 16xE	 16xI	 16xJ	
---	---	---	--

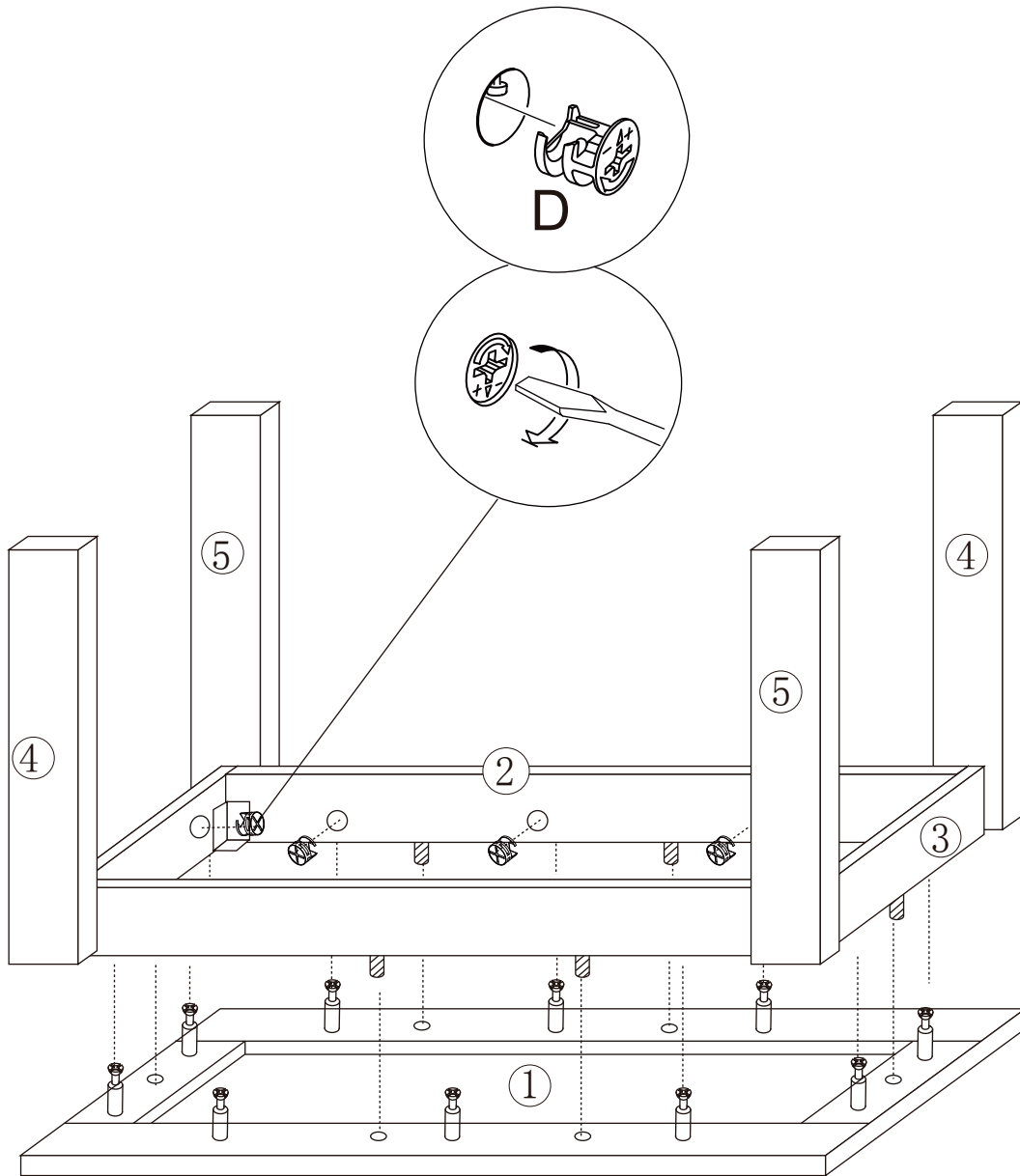








# 4

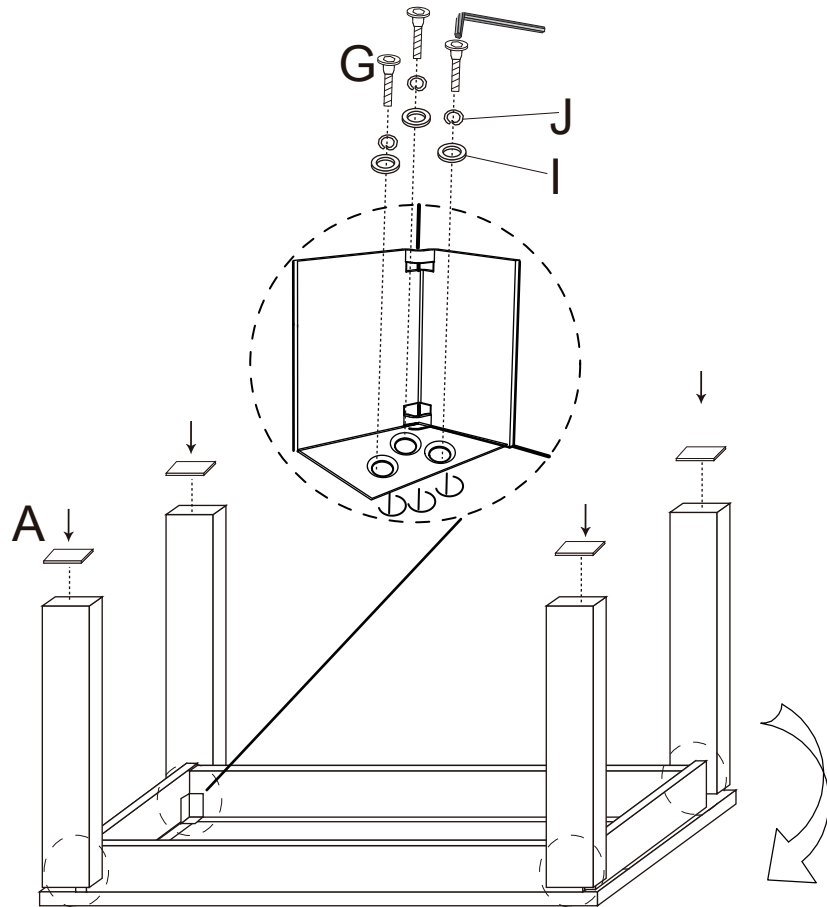


10xD

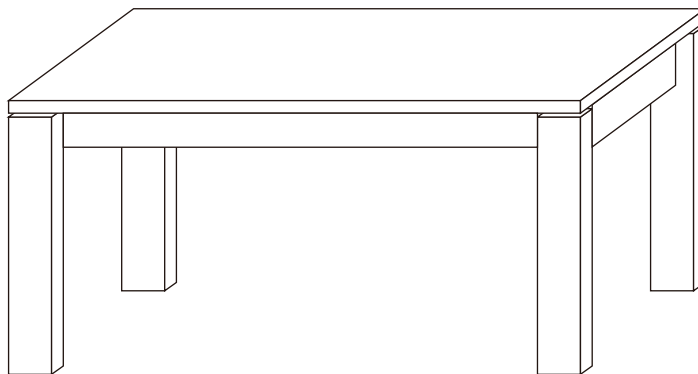


# 5

			
4 x A	12 x G	12 x I	12 x J



2 x People Required to turn table onto its feet upon completion



## The job is now complete!

**In the interest of our environment  
please dispose of all packaging thoughtfully.**